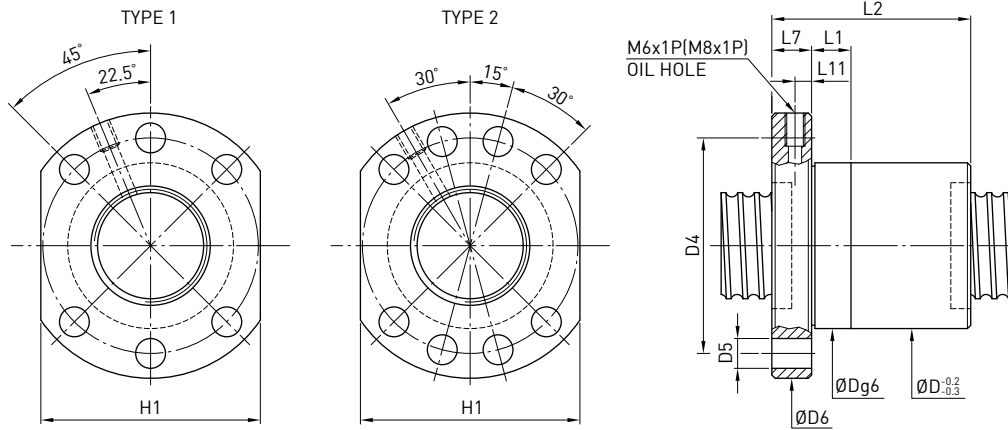


## 7.6 Dimensions for Stock Rolled Ballscrews

**F S I** TYPE (DIN 69051 part 5 form B)

◀ Stock



Model	Size		Ball Dia.	Circuits	Dynamic Load 1x10 <sup>6</sup> revs C (kgf)	Static Load Co (kgf)	D	D4	Flange Hole No.	D5	D6	H1	L1	L2	L7	L11	M-Oil Hole
	Nominal Dia.	Lead															
16-5T3	16	5	3.175	3	664	1196	28	38	6	5.5	48	40	10	40	10	5	M6x1P
20-5T3	20			3	733	1495	36	47	6	6.6	58	44	10	44	10	5	M6x1P
20-5T4	20			4	939	1993	36	47	6	6.6	58	44	10	52	10	5	M6x1P
25-5T3	25			3	880	2082	40	51	6	6.6	62	48	10	44	10	5	M6x1P
25-5T4				4	1127	2776	40	51	6	6.6	62	48	10	52	10	5	M6x1P
25-10T3	25	10	4.763	3	1430	2914	40	51	6	6.6	62	48	16	65	10	5	M6x1P
32-5T3	32	5	3.175	3	1008	2773	50	65	6	9	80	62	10	46	12	6	M6x1P
32-5T4				4	1291	3697	50	65	6	9	80	62	10	53	12	6	M6x1P
32-5T6				6	1830	5545	50	65	6	9	80	62	10	66	12	6	M6x1P
32-10T3		10	6.350	3	2264	4803	50	65	6	9	80	62	16	74	12	6	M6x1P
32-10T4				4	2900	6404	50	65	6	9	80	62	16	85	12	6	M6x1P
40-5T4				40	5	3.175	4	1414	4621	63	78	8	9	93	70	10	53
40-5T6	6	2004	6932				63	78	8	9	93	70	10	66	14	7	M8x1P
40-10T3	10	6.350	3		2652	6367	63	78	8	9	93	70	16	74	14	7	M8x1P
40-10T4			4		3396	8489	63	78	8	9	93	70	16	87	14	7	M8x1P
50-5T4	50	5	3.175	4	1562	5940	75	93	8	11	110	85	10	57	16	8	M8x1P
50-5T6				6	2214	8910	75	93	8	11	110	85	10	70	16	8	M8x1P
50-10T3		10	6.350	3	3045	8334	75	93	8	11	110	85	16	78	16	8	M8x1P
50-10T4				4	3899	11112	75	93	8	11	110	85	16	89	16	8	M8x1P
50-10T6				6	5526	16668	75	93	8	11	110	85	16	112	16	8	M8x1P