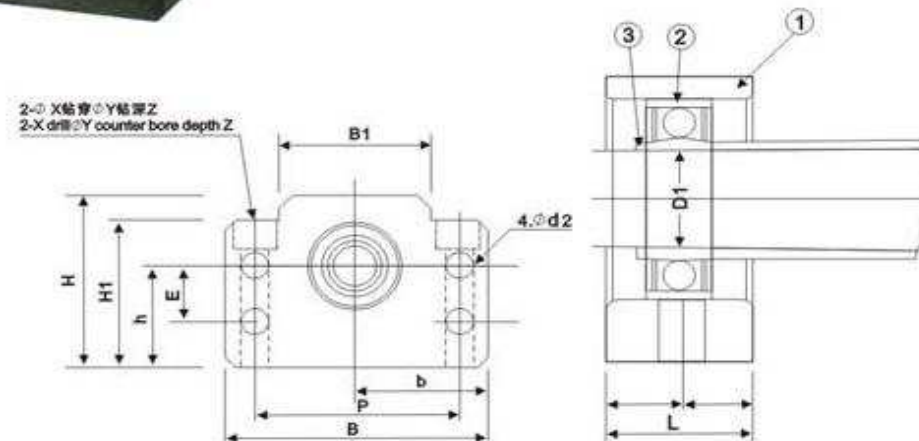




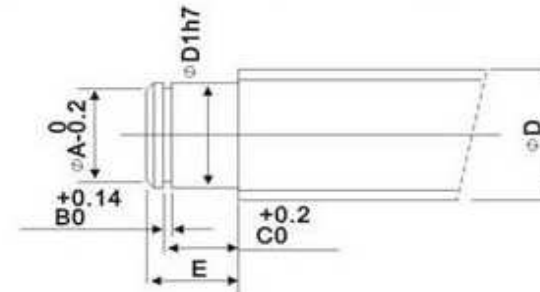
Park No	Park name	Qty
1	Housing	1
2	Bearing	1 set
3	Holding lid	1



Model No.	Shaft diameter d1	L	B	H	b		B1	H1	E	P	d2	X	Y	Z	Bearing	Snap ring
					±0.02	±0.02										
BF-12	10	20	60	43	30	25	35	32.5	18	46	5.5	6.6	11	1.5	6000ZZ	S 10
BF-15	15	20	70	48	35	28	40	38	18	54	5.5	6.6	11	6.5	6002ZZ	S 15
BF-17	17	23	86	64	43	39	50	55	28	68	6.6	9	14	8.5	6203Z	S 17
BF-20	20	26	88	60	44	34	52	50	22	70	6.6	9	14	8.5	6004ZZ	S 20
BF-25	25	30	106	80	53	48	64	70	33	85	9	11	17.5	11	6205ZZ	S 25
BF-30	30	32	128	89	64	51	76	78	33	102	11	14	20	13	6206ZZ	S 30
BF-35	35	32	140	96	70	52	88	79	35	114	11	14	20	13	6207Z	S 35



Park No	Park name	Qty
1	Housing	1
2	Bearing	1 set
3	Holding lid	1



MODEL NUBER BF	Ball screw outside diameter D	D1	E	Locating snap ring			MODEL NUBER BF
				A	B	C	
BF-12	$\varnothing 14$ 、 $\varnothing 15$ 、 $\varnothing 16$	10	11	9.6	1.15	9.15	BF-12
BF-15	$\varnothing 18$ 、 $\varnothing 20$	15	13	14.3	1.15	10.15	BF-15
BF-17	$\varnothing 20$ 、 $\varnothing 25$	17	16	16.2	1.15	13.15	BF-17
BF-20	$\varnothing 25$ 、 $\varnothing 28$	20	16	19.0	1.35	13.35	BF-20
BF-25	$\varnothing 32$ 、 $\varnothing 36$	25	20	23.9	1.35	16.35	BF-25
BF-30	$\varnothing 36$ 、 $\varnothing 40$	30	21	28.6	1.75	17.75	BF-30
BF-35	$\varnothing 40$ 、 $\varnothing 45$ 、 $\varnothing 50$	35	22	33.0	1.75	18.75	BF-35